

1. SCOPE 应用范围

This specification is applied to SHANGHAI HITACHI rotary compressor.
此规格适用于上海日立电器有限公司生产的旋转式压缩机。

2. SPECIFICATION OF COMPRESSOR 压缩机规格

2.1 Model

型号	ASD092SW-H3AX
----	---------------

2.2 Rated Voltage-Frequency-Phase G

额定电压/频率/相数	115 ~ 120V/60Hz/单相
------------	--------------------

2.3 Application Air Conditioning

应用	空调机
----	-----

2.4 Refrigerant

制冷剂	R410A
-----	-------

2.5 Compressor Cooling Forced air

压缩机冷却	强制空冷
-------	------

2.6 Displacement

排气量	9.2ml/rev
-----	-----------

2.7 Rated capacity(see*)

额定冷量 (见*)	2740W(2356Kcal/h)
-----------	-------------------

2.8 Motor input(see*)

电机输入功率(见*)	960W
------------	------

2.9 COP

能效比

$$2.85 \text{ COP} = \frac{\text{Rated capacity 额定冷量 (W)}}{\text{Motor input 电机输入功率 (W)}}$$

2.10 Current

电流

8.7A

2.11 Allowable amount of refrigerant charge

制冷剂充注允许量

900g

2.12 Amount of oil charge

油充注允许量

270 ± 20 ml(Initial)

270 ± 20 ml(最初)

2.13 Oil

油

68HES-H or equivalent

2.14 Space volume of inner case

壳体内容积

1175ml

2.15 Net weight

净重

9.5kg incl.oil

9.5kg 包括油

	SUBJECT Model ASD092SW-H3AX SPECIFICATION ASD092SW-H3AX 规格书	PAGE : 2/25
--	---	-------------

2.16 Hermetic Terminal 密封接线柱	1/4" quick connect type 1/4" 快速连接型	
2.17 Motor		
Type	Permanent Split Capacitor	
Capacitor	50 μ FD/250Volts	
Locked rotor amps	40A (at 120V)	
Approved voltage range	Rated voltage \pm 10%	
Winding resistance(M/S)	1.05/2.37 (at 75)	
电机		
形式	PSC	
电容器	50 μ F/250WV	
堵转电流	40A(at 120V)	
电压变动范围	额定电压 \pm 10%	
电阻(主线圈/副线圈)	1.05/2.37 (at 75)	
2.18 Rated conditions		
	Voltage	115 V
	Evaporating temp.	7.2
	Condensing temp.	54.4
	Liquid temp. entering expansion valve.	46.1
	Return gas temp.	35.0
	Ambient temp.	35.0
	Wind speed	2m/s
额定工况	电压	115 V
	蒸发温度	7.2
	冷凝温度	54.4
	膨胀阀前液体温度	46.1
	回气温度	35.0
	周围温度	35.0
	通风	2m/s
2.19 Starting performance		
	(1) The starting voltage should be as follows.	
	(2) The starting pressure should be balanced between the suction and discharge of the compressor and should be adjusted to the following table.	
	(3) The temperatures of the compressor enclosure should be more than 20 continuously at the following table.	
起动性能	(1) 起动电压如表 1 所示。	
	(2) 起动压力必须在吸气压力及排气压力之间进行平衡，并按下表予以调节。	
	(3) 在起动工况下，压缩机环境温度要保持在 20 以上。	

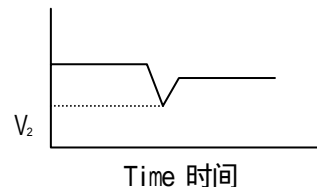
TABLE 1 表1

Starting Conditions 起动工况		Spec 规格
Motor temperature 电机状态	Pressure 平衡压力 MPa{kgf/cm ² G}	Starting voltage 起动电压 (V ₂)**
Cold-Starting 冷起动 Cold state (room temperature) 冷工况(室温)	1.703{16.36}	Below 85% of rated voltage 不高 于额定电压的85%
Hot-Starting(Standard) 热起动(标准) Hot state after operated under standard load condition 在标准负载下运行后的工况	1.703{16.36}	Below 85% of rated voltage 不高 于额定电压的85%
Hot-starting(Overload) 热起动(超负荷) Hot state after operated under overload condition 在超负载条件下运行后的工况	1.860{17.96}	Below 90% of rated voltage 不高 于额定电压的90%

*. Rated capacity and motor input are measured by secondary Refrigerant calorimeter Methods of JIS B8606 by Shanghai Hitachi Electrical Appliances Co., Ltd. Allowable capacity should be more than 95% of the rated capacity and Allowable motor input should be less than 107% of rated motor input.
额定冷量和电机输入功率由本公司根据 JIS B8606 的第二制冷剂法测试。允许冷量应为额定冷量的 95% 以上，允许电机输入功率应为额定电机输入功率的 107% 以下。

** . V₂ means minimum voltage measured between pins of hermetic terminal at the compressor starts.

V₂ 是指压缩机起动时所测密封接线柱端子间的最小电压。



***. The suction pressure is measured on the position above the filter of accumulator.
吸入压力测定位置在储液器滤网上面。

	SUBJECT Model ASD092SW-H3AX SPECIFICATION ASD092SW-H3AX 规格书	PAGE : 4/25
--	---	-------------

3. PARTS AND DRAWING LIST 零件及图纸清单

	PARTS NAME 零件名称	QTY/SET 数量/套	DRAWING NO. 图纸号	REMARKS 备注
	Compressor 压缩机	1	4CYCD0018	Dimensioned sketch 尺寸简图
Mounting parts 安装件	Mount assy 安装脚示意图 Rubber grommet 橡胶避振脚	- 3	SC01DA55 SC01DA68	
Electrical parts 电器部件	OLP protector 过载保护器 OLP spring 过载保护器弹簧 Terminal cover 接线盒盖 Gasket 接线盒盖垫片 Nut 凸缘螺母 Rubber washer 橡胶垫圈 Running Capacitor 运转电容	1 1 1 1 1 1 1	SC01DA31H01 SC01DA45 SC01DA53 SC01DA54 SC01D430 SC01DA63 SC01D380H09	BF1500-KB 50 μF/250W
			4CYC00977	Wiring Diagram 接线图

* Out of supply, for reference. 不提供, 仅供参考。

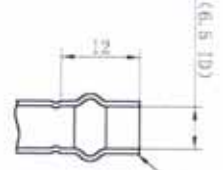
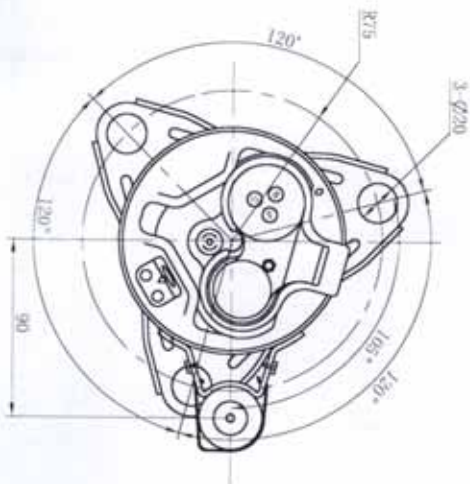
4. CHARACTERISTICS 一般特性
- 4.1 Residual moisture 150mg MAX
 残余水分含量 以下
- 4.2 Residual impurities 100mg MAX
 杂质含量 以下

4CYCD0018

版本: 6.01 A

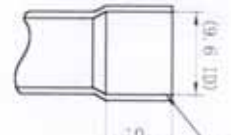
参考

设计	宋娟	审核	宋娟	设计	宋娟	审核	宋娟	设计	宋娟	审核	宋娟
日期	9/11/11	日期	9/11/11	日期	9/11/11	日期	9/11/11	日期	9/11/11	日期	9/11/11



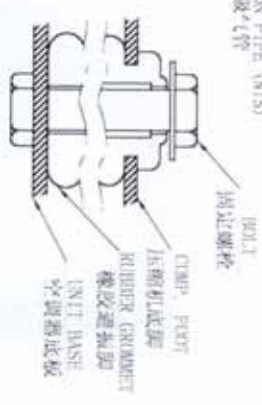
DISCHARGE PIPE (NTS)
排气管

THE CLEARANCE BETWEEN THE DIAMETER φ6.5mm CAN PASS THE PIPE. BUT THE CLEARANCE BETWEEN THE DIAMETER φ6.1mm CAN'T PASS THE PROTECTIVE POSITION.
内径确保φ6.5的间隙可以通过, 管卡点应保证φ6.1的止漏无法通过

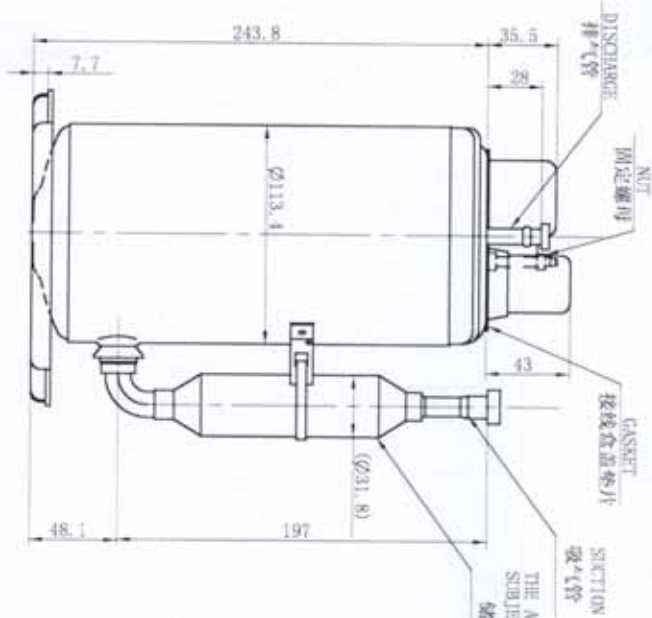


SUCTION PIPE (NTS)
吸气管

THE CLEARANCE BETWEEN THE DIAMETER φ6.0mm CAN PASS THE PIPE.
内径确保φ6.0的间隙可以通过



RUBBER GASKET STRUCTURE
橡胶密封垫结构
其外形以实物为准
THE CONCRETE APPEARANCE IS SUBJECT TO MATERIAL OBJECT



THE ACCUMULATOR APPEARANCE IS SUBJECT TO MATERIAL OBJECT
储液器外形以实物为准

NOTE:
注: 1. THE TORQUE ENFORCED ON THE NUT IS 1.5±0.3N.m.
接驳盒盖固定螺母的安装扭矩为 1.5±0.3N.m.

DIMENSION: mm
尺寸单位: mm

REGD	REV	TITLE	PROJECTION	SCALE	DOWN NO
	001	DIMENSIONED SKETCH	1:1	NTS	
ASD071SN-1E1AX	ASD071SW-1E1AX	ASD073SW-1E1AX	ASD092SW-1E1AX		

shanghai
Hiach Ltd
4CYCD0018