

SUBJECT

Model ASG125SN-B6DT SPECIFICATION
ASG125SN-B6DT 规格书

PAGE : 1/23

1. SCOPE 应用范围

This specification is applied to SHANGHAI HITACHI rotary compressor.
此规格适用于上海日立电器有限公司生产的旋转式压缩机。

2. SPECIFICATION OF COMPRESSOR 压缩机规格

2.1 Model

型号 ASG125SN-B6DT

2.2 Rated Voltage-Frequency-Phase

额定电压/频率/相数 208~230V/60Hz/单相

2.3 Application

应用 Air Conditioning
空调机

2.4 Refrigerant

制冷剂 R—410A

2.5 Compressor Cooling

压缩机冷却 Forced air
强制空冷

2.6 Displacement

排气量 12.5ml/rev

2.7 Rated capacity(see*)

额定冷量(见*) 3550W(3052Kcal/h)

2.8 Motor input(see*)

电机输入功率(见*) 1250W

2.9 COP

能效比

$$2.84 \text{ COP} = \frac{\text{Rated capacity 额定冷量 (W)}}{\text{Motor input 电机输入功率 (W)}}$$

2.10 Current

电流

6.1 A

2.11 Allowable amount of refrigerant charge

制冷剂充注允许量

900g

2.12 Amount of oil charge

油充注允许量

330 ± 20 ml(Initial)

330 ± 20 ml(最初)

2.13 Oil

油

HAF68D1 or equivalent

2.14 Space volume of inner case

壳体内容积

1200ml

2.15 Net weight

净重

12.0 kg incl.oil

12.0kg 包括油

2.16 Hermetic Terminal 密封接线柱	1/4"quick connect type 1/4" 快速连接型	
2.17 Motor		
Type	Permanent Split Capacitor	
Capacitor	35 MFD/400 Volts	
Locked rotor amps	30 A	
Approved voltage range	Rated voltage $\pm 10\%$	
Winding resistance(M/S)	2.29/2.70 (at 20)	
电机		
形式	PSC	
电容器	35 μ F/400V	
堵转电流	30 A	
电压变动范围	额定电压 $\pm 10\%$	
电阻(主线圈/副线圈)	2.29/2.70 (at 20)	
2.18 Rated conditions	Voltage	220 V
	Evaporating temp.	7.2
	Condensing temp.	54.4
	Liquid temp. entering expansion valve.	46.1
	Return gas temp.	35
	Ambient temp.	35.0
额定工况	电压	220V
	蒸发温度	7.2
	冷凝温度	54.4
	膨胀阀前液体温度	46.1
	回气温度	35
	周围温度	35.0
2.19 Starting performance	(1) The starting voltage should be as follows.	
	(2) The starting pressure should be balanced between the suction and discharge of the compressor and should be adjusted to the following table.	
	(3) The temperatures of the compressor enclosure should be more than 20 continuously at the following table.	
起动性能	(1) 起动电压如表 1 所示。	
	(2) 起动压力必须在吸气压力及排气压力之间进行平衡，并按下表予以调节。	
	(3) 在起动工况下，压缩机环境温度要保持在 20 以上。	

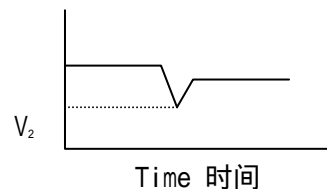
TABLE 1 表 1

Starting Conditions 起动工况		Spec 规格
Motor temperature 电机状态	Pressure 平衡压力 MPa{kgf/cm ² G}	Starting voltage 起动电压 (V ₂) **
Cold-Starting 冷起动 Cold state (room temperature) 冷工况(室温)	1.703{16.36}	Below 85% of rated voltage 不高 于额定电压的 85%
Hot-Starting(Standard) 热起动(标准) Hot state after operated under standard load condition 在标准负载下运行后的工况	1.703{16.36}	Below 85% of rated voltage 不高 于额定电压的 85%
Hot-starting(Overload) 热起动(超负荷) Hot state after operated under overload condition 在超负载条件下运行后的工况	1.860{17.96}	Below 90% of rated voltage 不高 于额定电压的 90%

*. Rated capacity and motor input are measured by secondary Refrigerant calorimeter Methods of JIS B8606 by Shanghai Hitachi Electrical Appliances Co., Ltd. Allowable capacity should be more than 95% of the rated capacity and Allowable motor input should be less than 107% of rated motor input.
额定冷量和电机输入功率由本公司根据 JIS B8606 的第二制冷剂法测试。允许冷量应为额定冷量的 95% 以上，允许电机输入功率应为额定电机输入功率的 107% 以下。

** . V₂ means minimum voltage measured between pins of hermetic terminal at the compressor starts.

V₂ 是指压缩机起动时所测密封接线柱端子间的最小电压。



***. The suction pressure is measured on the position above the filter of accumulator.
吸入压力测定位置在储液器滤网上面。

SUBJECT

Model ASG125SN-B6DT SPECIFICATION
ASG125SN-B6DT 规格书

PAGE : 4/23

3. PARTS AND DRAWING LIST 零件及图纸清单

PARTS NAME 零件名称		QTY/SET 数量/套	DRAWING NO. 图纸号	REMARKS 备注
Compressor 压缩机		1	4CYCG0101	Dimensioned sketch 尺寸简图
Mounting parts 安装件	RUBBER GROMMET 避振脚	3	4CYC00188	
	STUD 固定螺栓	-	4CYC00940	*
	PUSH NUT 固定螺母	-	(M8)	*
Electrical parts 电器部件	Terminal-Cover 接线盒盖	1	4CYC00894	
	Gasket 接线盒盖垫片	1	4CYC00895	
	Nut 固定螺母	1	3CYC00004	
	Rubber-Washer 固定垫圈	1	4CYC00174	
	Running Capacitor 运转电容	-	4CYC00173	*
			4CYC00698	Wiring Diagram 接线图 Performance curve 性能曲线

* Out of supply, for reference. 不提供, 仅供参考。

4. CHARACTERISTICS

一般特性

4.1 Residual moisture 150mg MAX

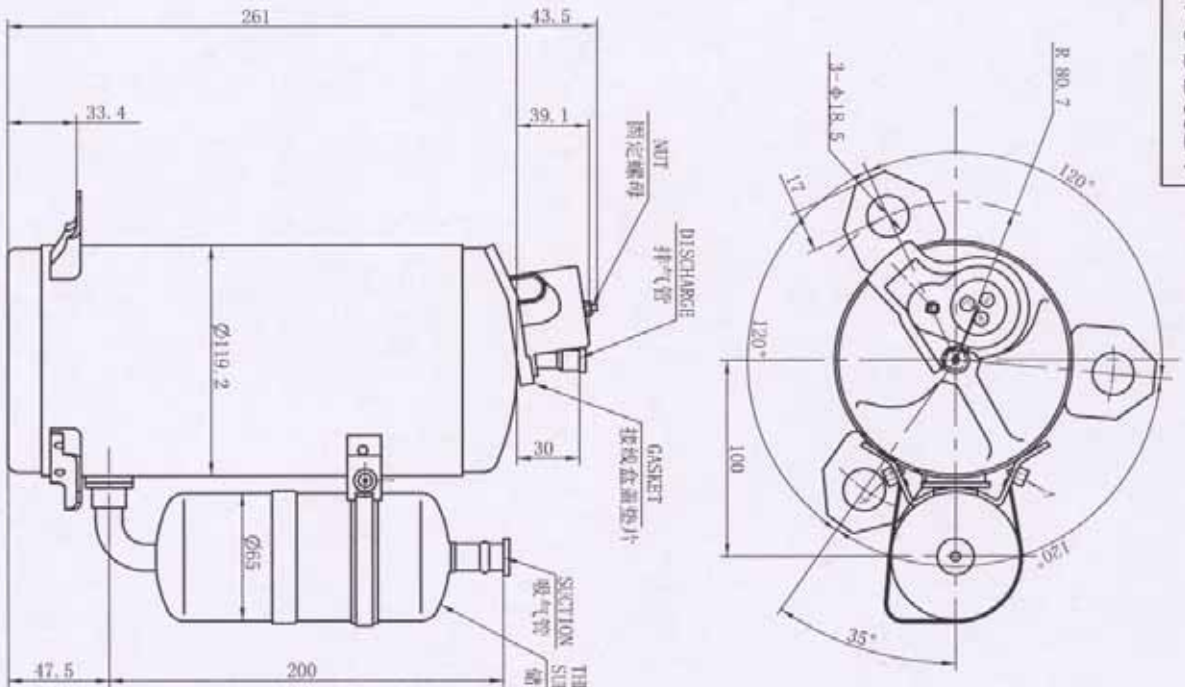
残余水分含量 以下

4.2 Residual impurities 100mg MAX

杂质含量 以下

4CYCG0101

图号: V

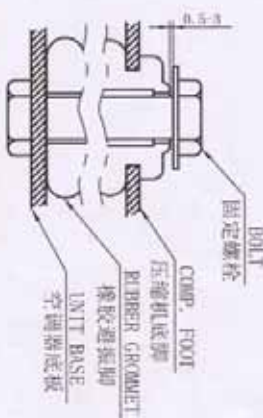


THE ACCUMULATOR APPEARANCE IS SUBJECT TO MATERIAL OBJECT



VIEW FROM A (NTS)

RUBBER GROMMET STRUCTURE
橡胶垫圈结构
具体外形以实物为准
THE CONCRETE APPEARANCE IS SUBJECT TO MATERIAL OBJECT



- NOTE:
1. THE TORQUE ENFORCED ON THE NUT IS 1.5±0.3N.m.
 2. PUTTING OUT RUBBER PLUG WHEN FIXING EARTH PARTS.
接箍盖孔橡胶塞拔去后, 安装接地附件。

通用附件

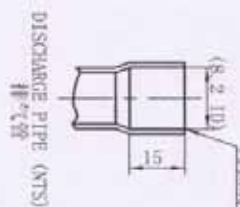
ASG12SSN-8BDT					

REC'D	DATE	TITLE	PROJECTION	SCALE	DWG. NO.
DRW	06.03.16	DIMENSIONED SKETCH	NTS		4CYCG0101
CHECK	06.03.16				
APPV	06.03.16				

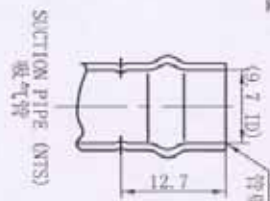
图号	年月日	审查	图号	年月日	审查
①			②		
②			③		
③			④		

外径确保φ8.15的螺栓可以通过

内径确保φ9.65的螺栓可以通过
管壁厚度应保证φ8.7且无孔通过



DISCHARGE PIPE (NTS)
排气管



SUCTION PIPE (NTS)
吸气管