

## SUBJECT

Model ASH264SN-C8LU SPECIFICATION  
ASH264SN-C8LU 规格书

PAGE : 1/23

## 1. SCOPE 应用范围

This specification is applied to SHANGHAI HITACHI rotary compressor.  
此规格适用于上海日立电器有限公司生产的旋转式压缩机。

## 2. SPECIFICATION OF COMPRESSOR 压缩机规格

## 2.1 Model

型号 ASH264SN-C8LU

## 2.2 Rated Voltage-Frequency-Phase

额定电压/频率/相数 208~230V/60Hz/单相

## 2.3 Application

应用 Air Conditioning(Including Cooling and Heat Pump,  
Windows,Split and Package Air Conditioner)  
空调机(包括单冷和热泵型,窗式、分体式和柜式空调)

## 2.4 Refrigerant

制冷剂 R—410A

## 2.5 Compressor Cooling

压缩机冷却 强制空冷

## 2.6 Displacement

排气量 26.44ml/rev

## 2.7 Rated capacity(see\*)

额定冷量(见\*) 7700W(6622Kcal/h) (208V) / 7760W(6674 Kcal/h) (230V)

## 2.8 Motor input(see\*)

电机输入功率(见\*) 2680W (208V) / 2755W (230V)

## 2.9 COP

能效比

2.87(208V) / 2.82(230V)  $COP = \frac{\text{Rated capacity 额定冷量 (W)}}{\text{Motor input 电机输入功率 (W)}}$

## 2.10 Current

电流

13 A (208V) / 12.4 A (230V)

## 2.11 Allowable amount of refrigerant charge

制冷剂充注允许量

2100g

## 2.12 Amount of oil charge

油充注允许量

600±20 ml(Initial)

600±20 ml(最初)

## 2.13 Oil

油

HAF68D1 or equivalent

## 2.14 Space volume of inner case

壳体内容积

2045ml

## 2.15 Net weight

净重

19.5 kg incl.oil

19.5kg 包括油

	SUBJECT  Model ASH264SN-C8LU SPECIFICATION ASH264SN-C8LU 规格书	PAGE : 2/23
2.16 Hermetic Terminal 密封接线柱	1/4"quick connect type 1/4" 快速连接型	
2.17 Motor Type Capacitor Locked rotor amps Approved voltage range Winding resistance(M/S) 电机 形式 电容器 堵转电流 电压变动范围 电阻(主线圈/副线圈)	Permanent Split Capacitor 50 μF /450 Volts 70A (230V/60Hz) Rated voltage ±10% 1.00/3.00 (at 75 ) PSC 50 μF/450V 70 A( 230V/60Hz) 额定电压 ± 10% 1.00/3.00 (at 75 )	
2.18 Rated conditions             额定工况	Voltage Evaporating temp. Condensing temp. Liquid temp. entering expansion valve. Return gas temp. Ambient temp. Wind speed 电压 蒸发温度 冷凝温度 膨胀阀前液体温度 回气温度 周围温度 风速 208 ~ 230 V 7.2 54.4 46.1 35 35.0 2m/s	
2.19 Starting performance             起动性能	(1) The starting voltage should be as follows. (2) The starting pressure should be balanced between the suction and discharge of the compressor and should be adjusted to the following table. (3) The temperatures of the compressor enclosure should be more than 20 continuously at the following table. (1) 起动电压如表 1 所示。 (2) 起动压力必须在吸气压力及排气压力之间进行平衡，并按下表予以调节。 (3) 在起动工况下，压缩机环境温度要保持在 20 以上。	

TABLE 1 表 1

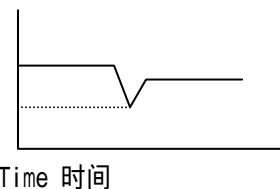
Starting Conditions 起动工况		Spec 规格
Motor temperature 电机状态	Pressure 平衡压力 MPa{kgf/cm <sup>2</sup> G}	Starting voltage 起动电压 (V <sub>2</sub> )**
Cold-Starting 冷起动 Cold state (room temperature) 冷工况(室温)	1.703{16.36}	Below 85% of rated voltage 不高 于额定电压的 85%
Hot-Starting(Standard) 热起动(标准) Hot state after operated under standard load condition 在标准负载下运行后的工况	1.703{16.36}	Below 85% of rated voltage 不高 于额定电压的 85%
Hot-starting(Overload) 热起动(超负荷) Hot state after operated under overload condition 在超负载条件下运行后的工况	1.860{17.96}	Below 90% of rated voltage 不高 于额定电压的 90%

\*. Rated capacity and motor input are measured by secondary Refrigerant calorimeter Methods of JIS B8606 by Shanghai Hitachi Electrical Appliances Co., Ltd. Allowable capacity should be more than 95% of the rated capacity and Allowable motor input should be less than 107% of rated motor input.  
额定冷量和电机输入功率由本公司根据 JIS B8606 的第二制冷剂法测试。允许冷量应为额定冷量的 95% 以上，允许电机输入功率应为额定电机输入功率的 107% 以下。

\*\* . V<sub>2</sub> means minimum voltage measured between pins of hermetic terminal at the compressor starts.

V<sub>2</sub> 是指压缩机起动时所测密封接线柱端子间的最小电压。

V<sub>2</sub>



Time 时间

\*\*\*. The suction pressure is measured on the position above the filter of accumulator.  
吸入压力测定位置在储液器滤网上面。

## SUBJECT

Model ASH264SN-C8LU SPECIFICATION  
ASH264SN-C8LU 规格书

PAGE : 4/23

## 3. PARTS AND DRAWING LIST 零件及图纸清单

PARTS NAME 零件名称		QTY/SET 数量/套	DRAWING NO. 图纸号	REMARKS 备注
Compressor 压缩机		1	4CYCH0096	Dimensioned sketch 尺寸简图
Mounting parts 安装件	RUBBER GROMMET 避振脚	3	4CYC00008	
	Bolt 固定螺栓	-	4CYC00175	*
	Nut 固定螺母	-	(M8)	*
Electrical parts 电器部件	OTerminal-Cover 接线盒盖	1	4CYC00101	
	Gasket 接线盒盖垫片	1	4CYC00102	
	Nut 固定螺母	1	3CYC00004	
	Rubber-Washer 固定垫圈	1	4CYC00174	
	Running Capacitor 运转电容	-	4CYC00173	*
			4CYC00737	Wiring Diagram 接线图 Performance curve 性能曲线

\* Out of supply, for reference. 不提供, 仅供参考。

## 4. CHARACTERISTICS

一般特性

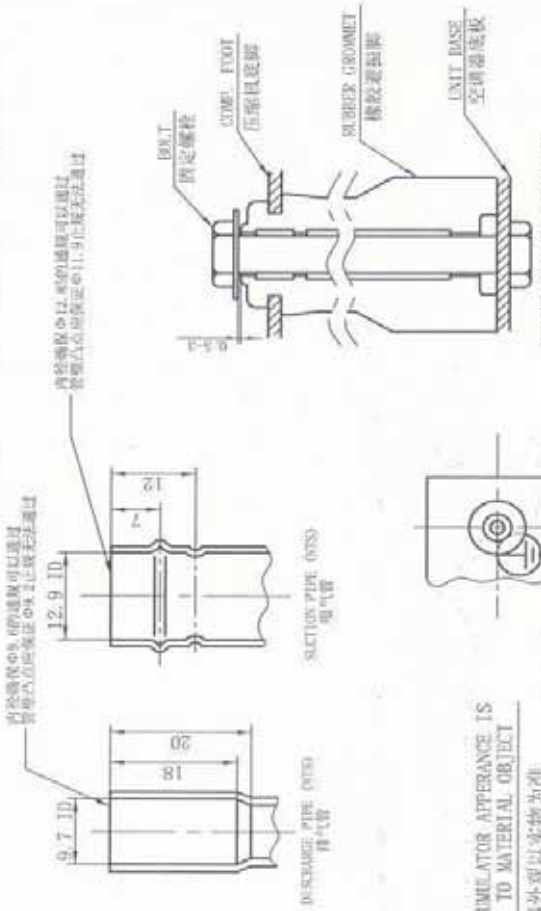
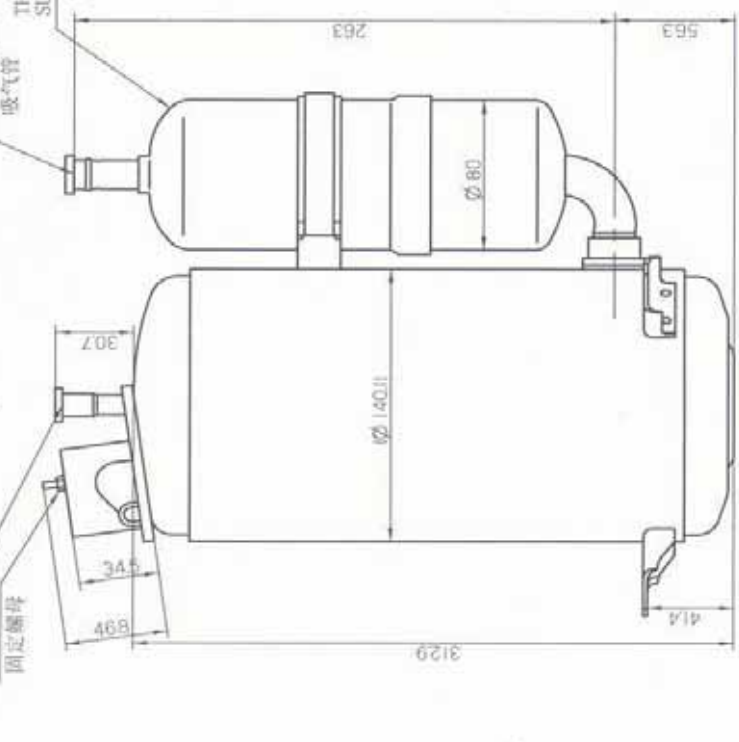
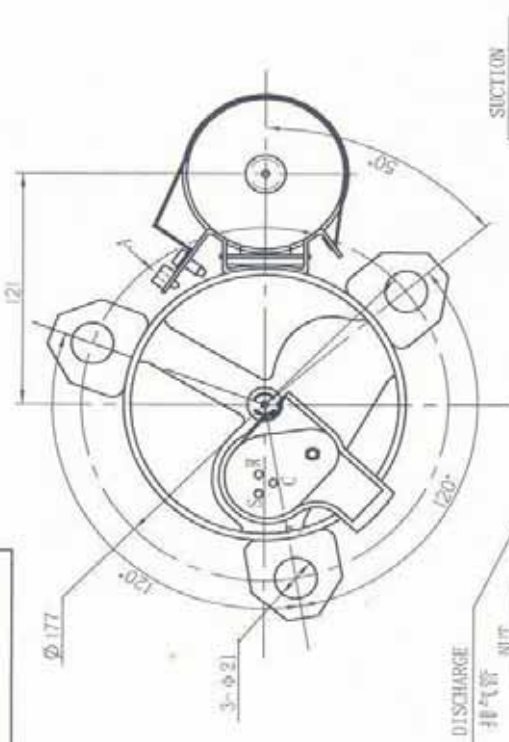
4.1 Residual moisture 150mg MAX

残余水分含量 以下

4.2 Residual impurities 100mg MAX

杂质含量 以下

图号	来历	年月日	订正	审查	记号	类别	年月日	订正	审查
①					①				
②					②				
③					③				



RUBBER GROMMET STRUCTURE  
橡胶圈紧固结构

具体外形以实物为准  
THE CONCRETE APPEARANCE IS  
SUBJECT TO MATERIAL OBJECT

注: 1. THE TORQUE ENFORCED ON THE NUT IS 1.5-0.3N.m.  
接合金盖固定螺母的安装扭矩为 1.5-0.3N.m.  
2. PUTTING OUT RUBBER PLUG WHEN FIXING EARTH PARTS.  
接地铜孔橡胶塞拔去后, 安装接地附件。

通用机种

ASH264SN-C81U		

REL. MARK	PROJECTION	SCALE	DRAWING NO.
	第一角	NTS	4CYCH0096
RECD	DIMENSIONED SKETCH		shanghai Hitachi, Ltd.
DRW.	TITLE		
CHKD.	05.11.17		
DESIGN.	05.11.17		
APPR.	05.11.17		

4CYCH0096

